

**SYMEX**  
INTERNATIONAL  
TURKEY

*Builds new worlds*



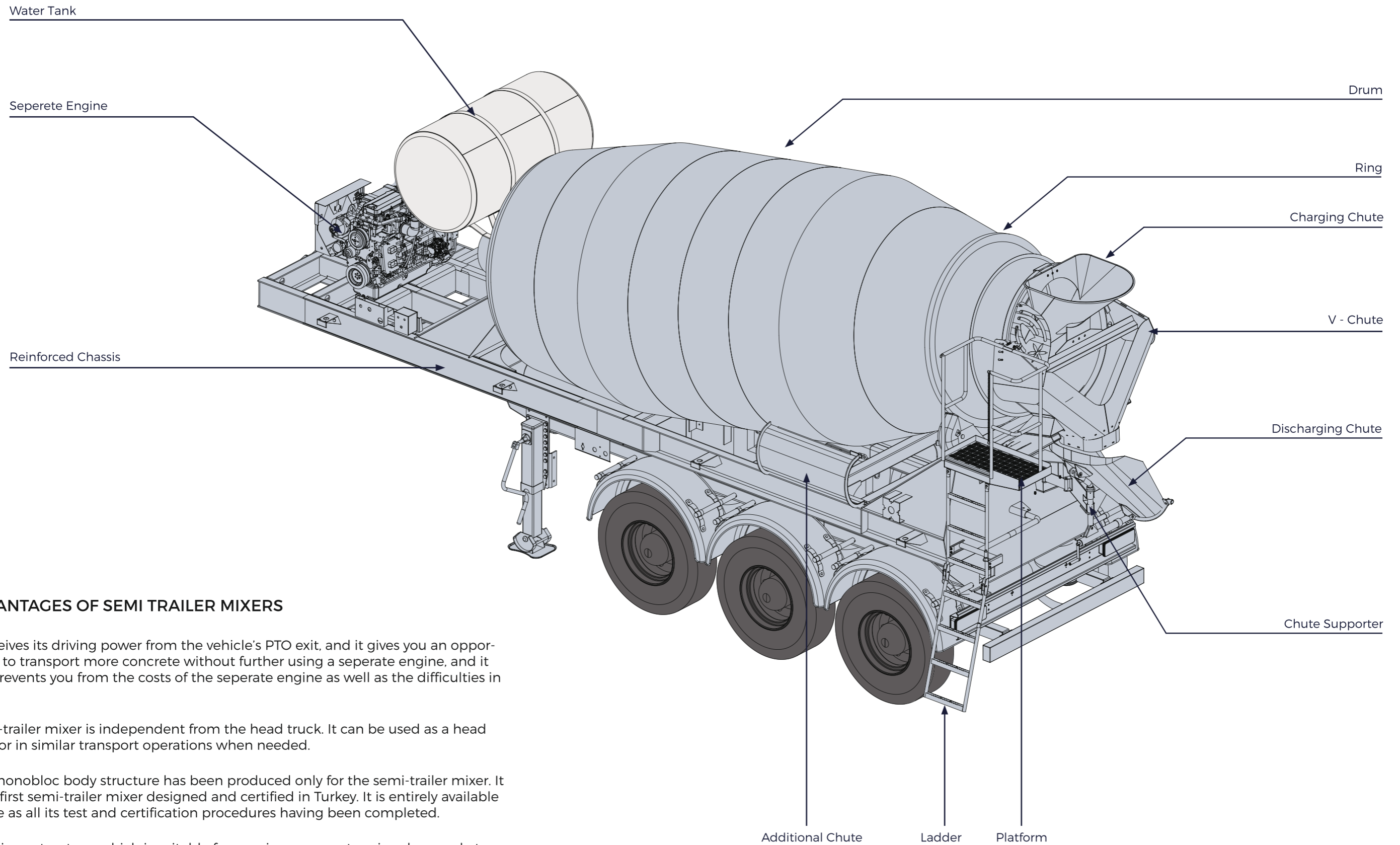
# PRODUCT CATALOG

## SEMI TRAILER MIXER

[www.symex.com.tr](http://www.symex.com.tr)

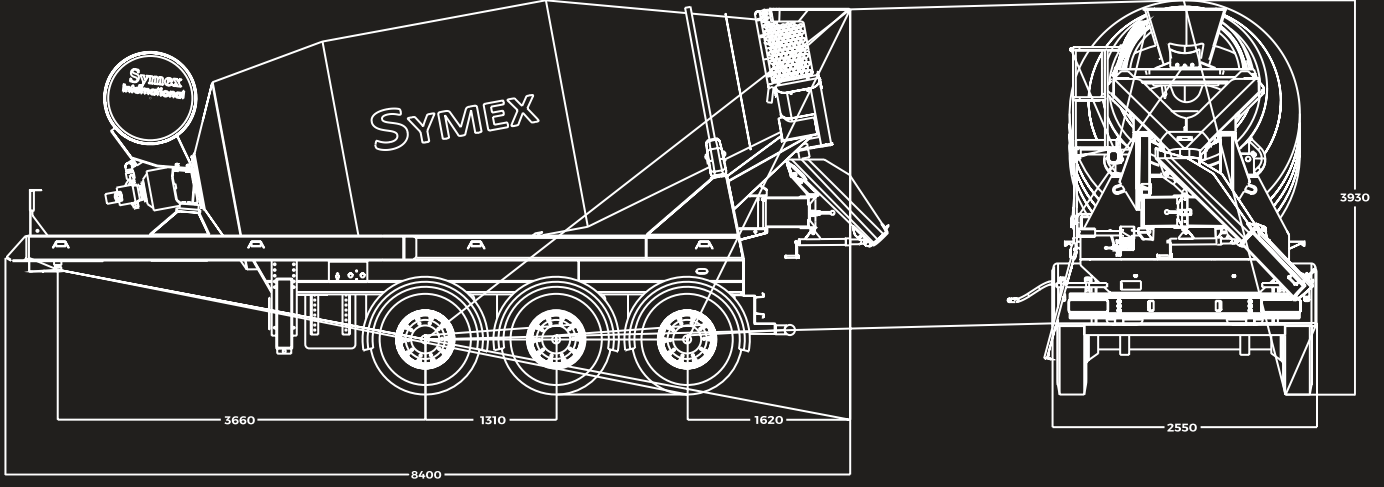
# SEMI TRAILER MIXER

With its monobloc semi-trailer body structure designed in Turkey for the first time for Concrete Mixers, Symex semi-trailer mixers have been the main preference of numerous companies due to its special design and functionality. Symex semi-trailer mixers are manufactured with its wet and dry type options from 8 m<sup>3</sup> to 16 m<sup>3</sup> with 2 or 3 axle models.



## ADVANTAGES OF SEMI TRAILER MIXERS

- It receives its driving power from the vehicle's PTO exit, and it gives you an opportunity to transport more concrete without further using a separate engine, and it also prevents you from the costs of the separate engine as well as the difficulties in use.
- Semi-trailer mixer is independent from the head truck. It can be used as a head truck or in similar transport operations when needed.
- The monobloc body structure has been produced only for the semi-trailer mixer. It is the first semi-trailer mixer designed and certified in Turkey. It is entirely available for use as all its test and certification procedures having been completed.
- Its unique structure, which is suitable for carrying a concrete mixer, has a substantial contribution to the life and performance of the product.



## TECHNICAL SPECIFICATIONS

### SM TRAILER MIXER

Capacity (m <sup>3</sup> )	12	14	16
Geometrical Volume (m <sup>3</sup> )	18,40	21,60	22,40
Load Ratio (%)	65,00	65,00	65,00
Cycle (d/min)	14	14	14
Diameter (mm)	2300	2300	2300
Drum (pcs)	2	2	2
Water Pump Exit (lt/min)	450	---	---
Water Tank (lt)	650-1500	650-1500	650-1500
Water Tank Meter (lt)	0-650	0-650	0-650
<b>DRIVE TYPE</b>			
PTO / Sepera Engine		PTO / S.E.	●
<b>SIZES</b>			
Chassis Length (mm)	7357	7563	7490
Total Lenght (mm)	8400	8441	8487
Weight (kg)	3660	7990	8420
Height (mm)		3930	
<b>HYDRAULIC EQUIPMENTS</b>			
Reducer	ZF P7300 / 72000 Nm	ZF Cml 16 / 90000 Nm	ZF Cml 16 / 90000 Nm
Hydraulic Pump	BOSCH REXROTH	BOSCH REXROTH	BOSCH REXROTH
Hydraulic Motor	3660 BOSCH REXROTH	---	---
Oil Cooler (With Fan and Filter)	Oesse HM 24 V	Oesse HM 24 V	Oesse HM 24 V

Symex International İş Makinaları San. ve Tic. Ltd. Şti

Erenler OSB Mah.. 5.Sok. No:10 MERKEZ / AKSARAY

Tel: +90 382 266 24 60 | Fax: +90 382 266 24 33

www.symex.com.tr | info@symex.com.tr