

SYMEX
INTERNATIONAL
TURKEY

Builds new worlds



PRODUCT CATALOG
CONCRETE MIXER

www.symex.com.tr

CONCRETE MIXER

All Symex concrete mixers can be assembly on truck of any brand and chassis. The capacity of Symex truck mixers are between 4m³ and 14m³. Symex uses abrison resistant steel against corrosion.

Water Tank

Drum

Charging Chute

Man Hole

V - Chute

Discharging Chute

Chassis

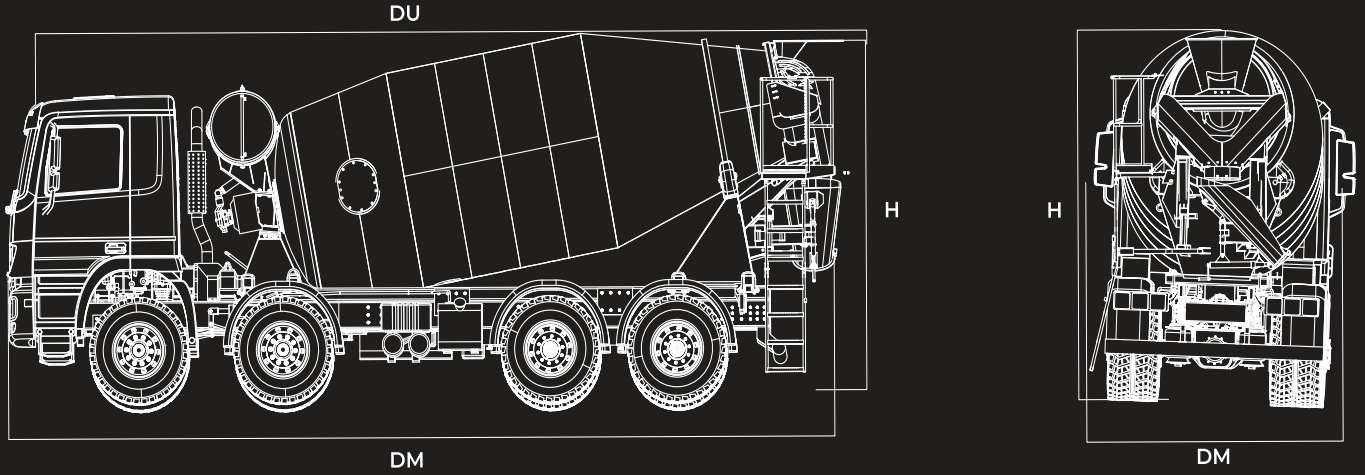
Roller

Platform

Bumper

Ladder

Mudguard



TECHNICAL SPECIFICATIONS

	SMX 8	SMX 9	SMX 10	SMX 12
Capacity (m ³)	8	9	10	12
Geometrical Volume (m ³)	13,7	15,2	16,7	18,4
Load Ratio (%)	58	59	60	65
Cycle (d/min)	14	14	14	14
Diameter (mm)	2300	2300	2300	2300
Drum (pcs)	2	2	2	2
Water Pump Exit (lt/min)	450	450	450	450
Water Tank (lt)	650	650	650	650
Water Tank Meter (lt)	0-650	0-650	0-650	0-650
DRIVE TYPE				
PTO / Sepera Engine	PTO / S.M.	PTO / S.M.	PTO / S.M.	PTO / S.M.
Axis Center	3/4	4	4	4
DRIVE TYPE				
Chassis Length (mm)	5700	6300	6400	6800
Mixer Length (mm)	6500	7100	7200	7600
Rear Flange (mm)	800	800	800	800
Center of Gravity (mm)	2735	2915	2920	3310
Maximum Height (mm)	2634	2646	2831	2827
HYDRAULIC EQUIPMENTS				
CML12 REDUCER 6400m	ZF CML10 REDUCER 6400Nm	ZF CML10 REDUCER 8000Nm		

Symex International İş Makinaları San. ve Tic. Ltd. Şti

Erenler OSB Mah.. 5.Sok. No:10 MERKEZ / AKSARAY

Tel: +90 382 266 24 60 | Fax: +90 382 266 24 33

www.symex.com.tr | info@symex.com.tr